

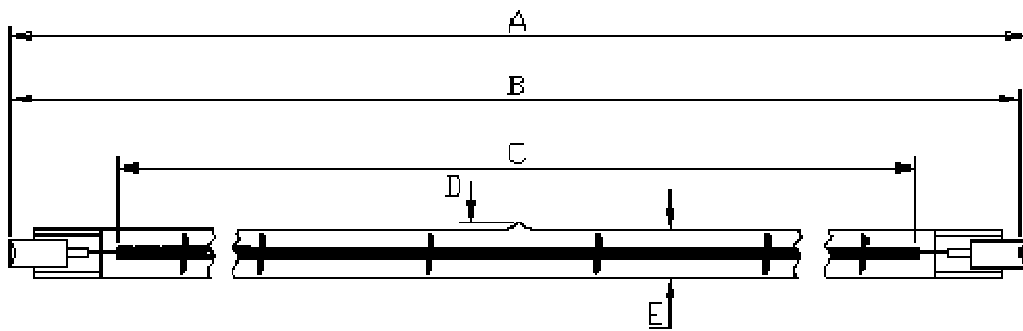
LAMPY IRA - KRÓTKOFALOWE



300 W

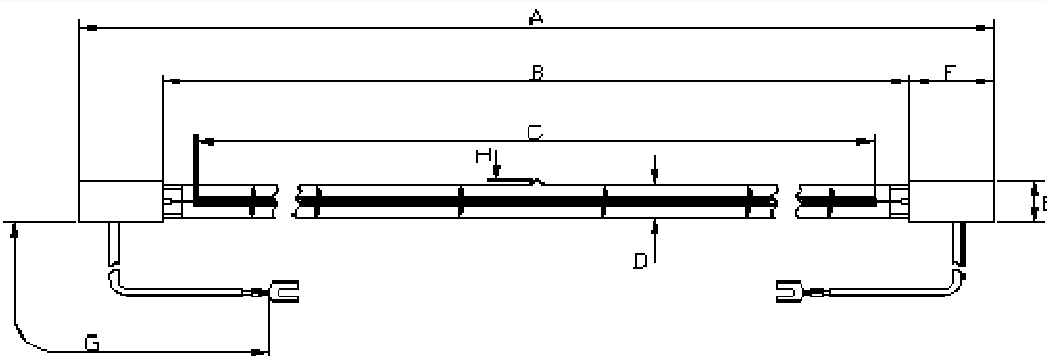
Watts	Volts	Base	Tube	LL mm	OAL mm	Box QTY	Order Code	Eq
300	240	R7S fig:1.1	CLEAR	160	233	100	64243020	
	240	R7S fig:1.1	CLEAR	60	119	100	64243021	13908R
	240	CERAMIC fig:1.2	CLEAR	160	216	10	64243022	
	240	CERAMIC fig:1.3	JACKETED	160	216	10	64243010	

Fig 1.1 R7S



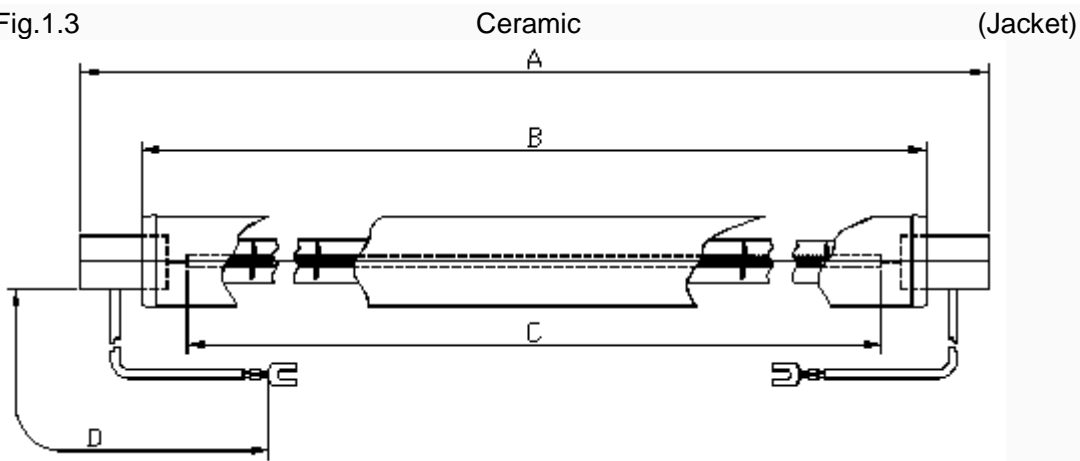
Type	A	B	C	D	E
64243021	117.6	114.2(+2)	60	5Max	10.5
64243020	233(+2)	160	180(+5)	5Max	10.5

Fig 1.2 Ceramic



Type	A	B	C	D	E	F
64243022	233	230(+1.5)	170	10.5		5Max

Fig.1.3



Type	A	B	C	D
64243010	216(+2)	176(+1.5)	150	230(+5)

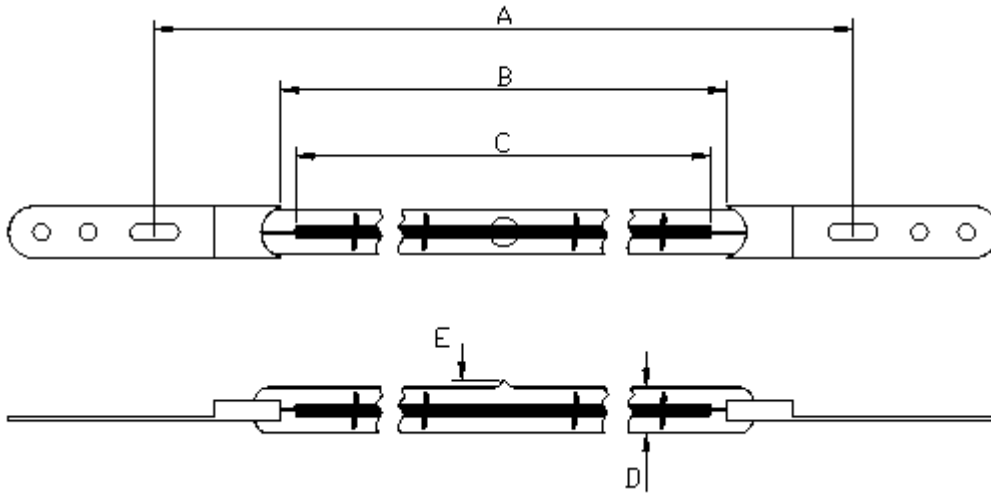


500 - 850 W

Watts	Volts	Base	Tube	LL mm	OAL mm	BOX QTY	Order Code	Eq
500	120	STRAP fig 2.1	CLEAR	160	241	10	64125010	13169X
	120	STRAP fig 2.1	REFLECTOR	160	241	10	64125050	13169X/98
	120	R7S + LEAD fig 2.2	CLEAR	160	233	100	64125020	
	120	METAL fig 2.3	CLEAR	160	225	100	64125021	QH500T3/CL
	120	CERAMIC fig 2.4	RUBY	160	216	10	64125030	
	240	CERAMIC fig 2.4	JACKETED	160	216	10	64245010	HH210
	240	CERAMIC fig 2.4	CLEAR	160	216	10	64245020	HH188 13169Z
	240	CERAMIC fig 2.4	REFLECTOR	160	216	10	64245052	13169Z/98
	240	R7S + LEAD fig 2.2	CLEAR	160	233	100	64245021	
	240	METAL fig	CLEAR	160	225	100	64245022	

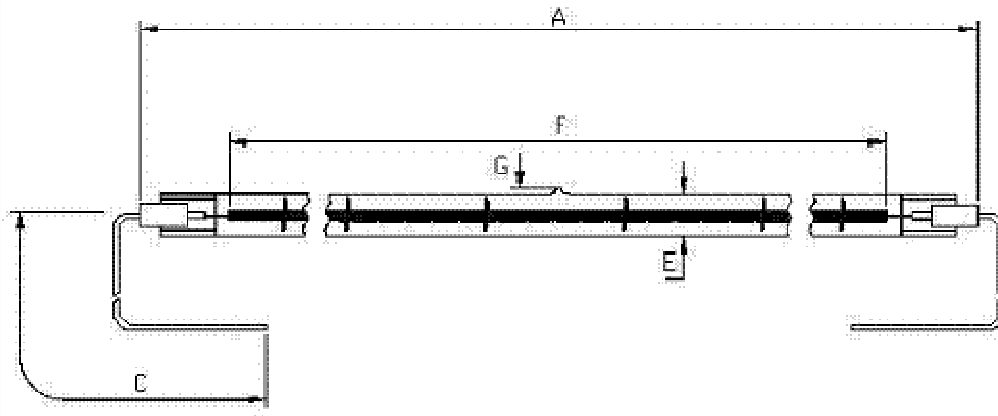
		2.3						
	240	R7S fig 2.6	CLEAR	165	220	100	64245023	13169R
	240	STRAP fig 2.1	CLEAR	160	241	10	64245025	13169X
	240	STRAP fig 2.1	REFLECTOR	160	241	10	64245051	13169X/98
	240	CERAMIC fig 2.5	JACKETED	160	216	10	64245030	HH175 HH599
700	240	CERAMIC fig 2.4	CLEAR	150	213	10	64247022	13842Z
850	240	CERAMIC fig 2.5	JACKETED	195	120	10	64248531	13833Z/876

Fig 2.1 Strap



Type	A	C	D	E
64125010	241(+/-5)	160	10.5	5Max
64125050	241(+/-5)	160	10.5	5Max
64245025	241(+/-5)	160	10.5	5Max
64245051	241(+/-5)	140	10.5	5Max

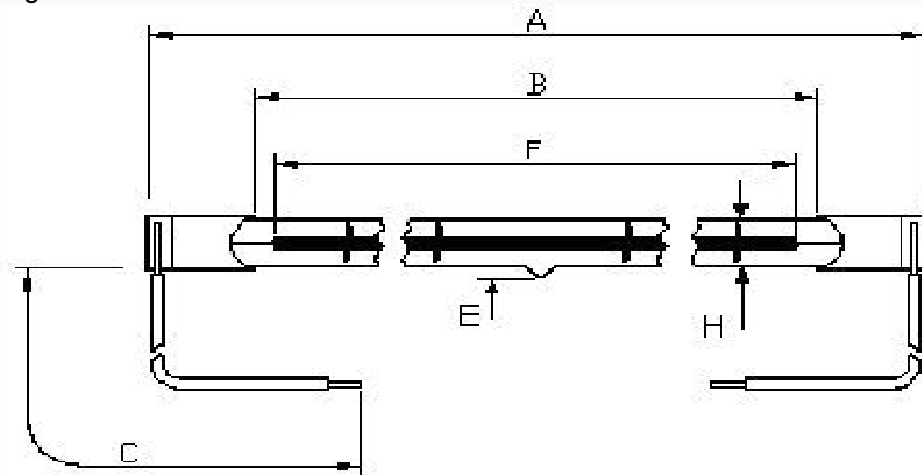
Fig 2.2 R7S + Lead



Type	A	C	E	F	G
64125020	233(+2)	140(+5)	10.5	160	5Max
64243022	233(+2)	140(+5)	10.5	160	5Max

Fig.2.3

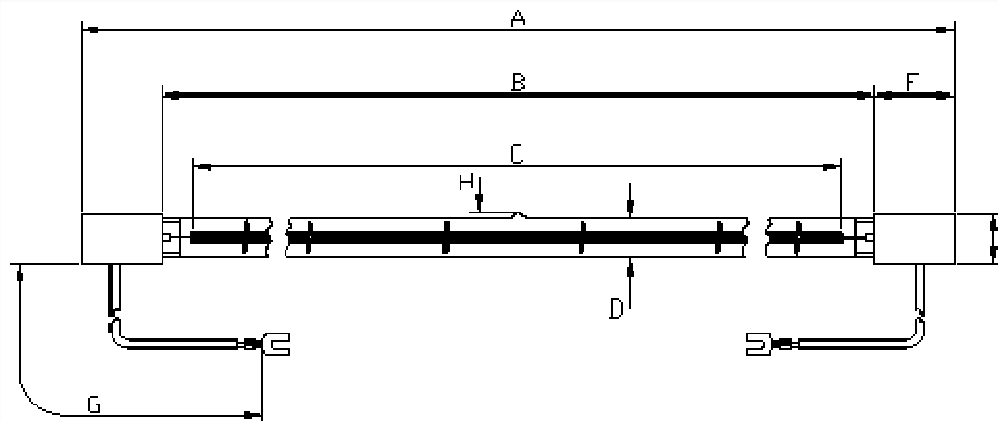
Metal



Type	A	C	E	F	H
64125021	225(+2)	140(+10)	5Max	160	10.5
64125022	225(+2)	140(+10)	5Max	160	10.5

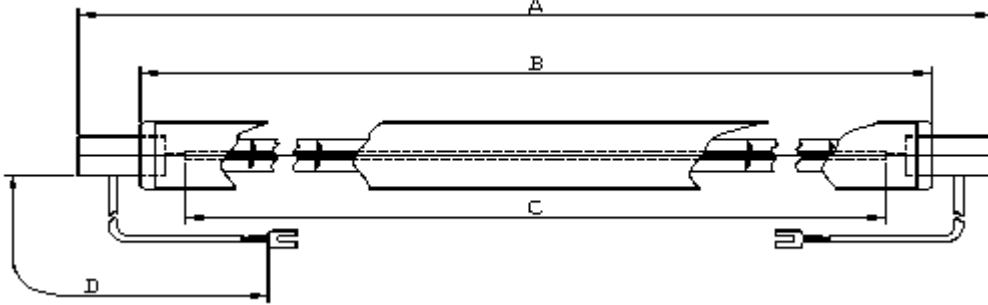
Fig.2.4

Ceramic



Type	A	C	D	G	H
64125030	216(+/-1.7)	160	10.5	230	5Max
64245020	216(+/-2)	176	10.5	230(+/-5)	5Max
64245052	216(+/-2)	160	10.5	230(+/-5)	5Max
64247022	216(+/-2)	145	10.5	230(+/-5)	5Max

Fig.2.5 Ceramic (Jacketed)



Type	A	B	C	D	E
64125030	216(+/-1.7)	160	10.5	230	5Max

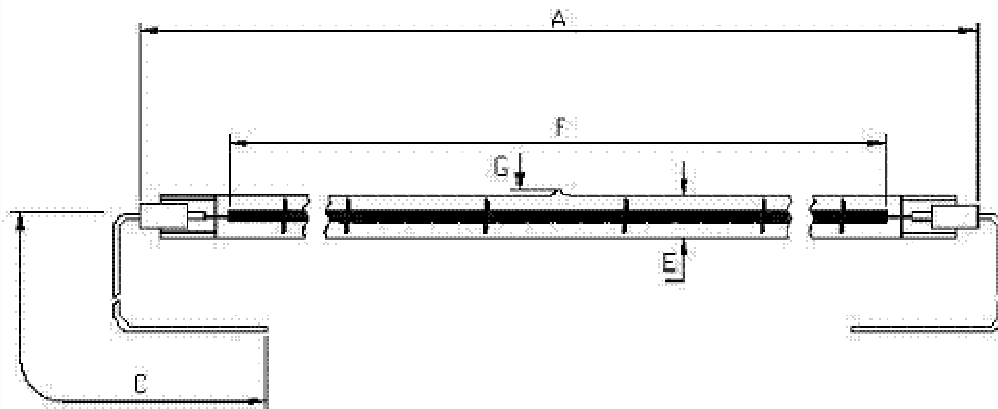


1000 W

Watts	Volts	Base	Tube	LL mm	OAL mm	Box QTY	Order Code	Eq
1000	120	R7S + LEAD fig 3.1	CLEAR	270	344	10	64121020	
	120	CERAMIC fig 3.2	RUBY	270	346	10	64121030	
	120	CERAMIC fig 3.2	REFL+ VERT	270	346	10	64121052	13713Z/98
	240	CERAMIC fig 3.3	JACKETED	270	346	10	64241010	HH211
	240	CERAMIC fig 3.2	CLEAR	270	346	10	64241020	13195Z HH151
	240	R7S + LEAD fig 3.1	CLEAR	270	344	10	64241021	
	240	METAL fig 3.4	CLEAR	254	348	10	64241022	13195Y/ Q1000T3
	240	CERAMIC		465	526	10	6424103B	PAINT

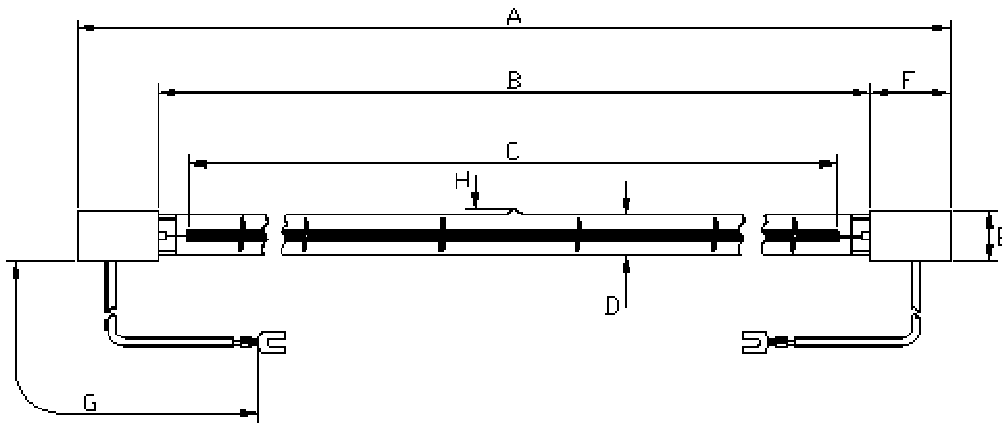
		fig 3.2	RUBY SLIM						DRYING
	240	CERAMIC fig 3.2	CLEAR	465	526	10	64241024		
	240	STRAP fig 3.5	CLEAR	270	370	10	64241027	13195X	
	240	STRAP fig 3.5	REFLECTOR	270	370	10	64241051	13195X/98	
	240	CERAMIC fig 3.2	CLEAR	270	346	10	6424102F	13713Z	
	240	STRAP fig 3.5	CL + VERT	270	346	10	64241028	13713X	
	240	CERAMIC fig 3.2	RUBY SLIM	270	346	10	6424103C	PAINT DRYING	
	240	CERAMIC fig 3.2	REFLECTOR	270	346	10	64241052	13713Z/98	
	240	STRAP fig 3.5	REFL+ VERT	270	370	10	64241053	13713X/98	
	240	CERAMIC fig 3.3	RUBY	270	346	10	64241030	HH450 13195/876 HH729	
	240	CERAMIC fig 3.3	RUBY	465	526	10	64241034	13836Z/876	
	240	CERAMIC fig 3.2	REFLECTOR	270	346	10	64241050	13195Z/98 qir240- 1000ZN	

Fig 3.1 RS7+Lead



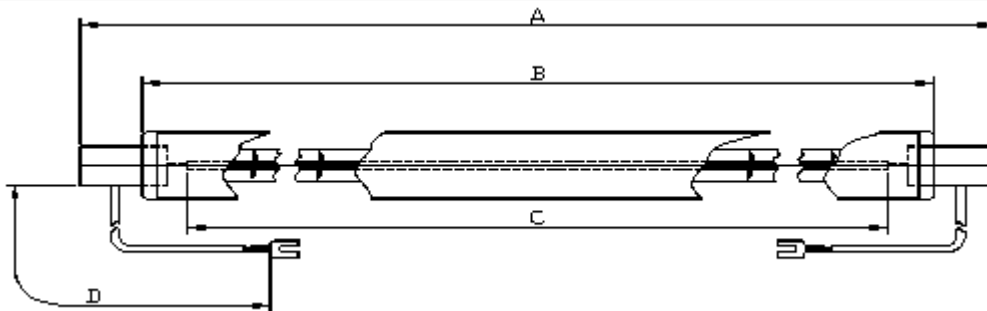
Type	A	C	E	F	G
64121020	344(+2)	140(+5)	10.5	270	5Max
64241021	344(+2)	140(+5)	10.5	270	5Max

Fig 3.2 Ceramic



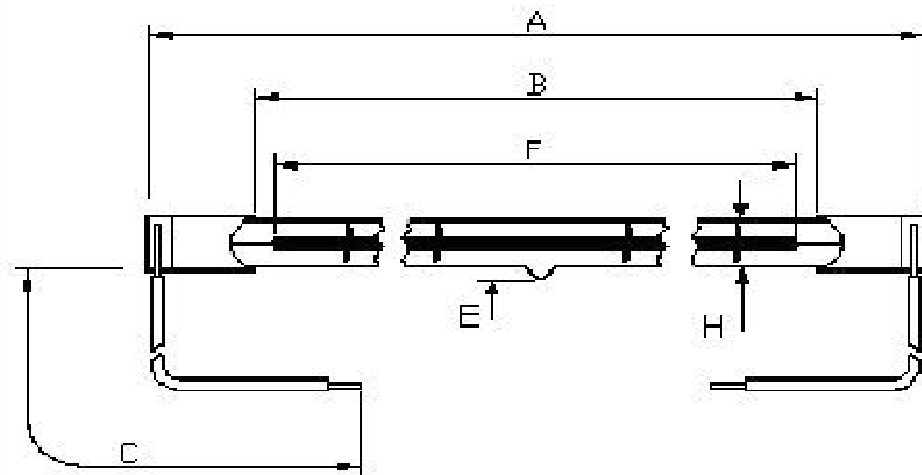
Type	A	C	D	E	G	H
64121030	346(+2)	270(+5)	10.5	15	230(+5)	5Max
64121052	346(+2)	270	10.5	15	230(+5)	5Max
64241020	357(+2)	280	10.5	15	125(+5)	5Max
6424103B	526(+2)	460	10.5	15	230(+5)	5Max
64241024	355(+2)	272	10.5	15	230(+5)	5Max
6424102F	346(+2)	270	10.5	15	230(+5)	5Max
6424103C	346(+2)	270	10.5	15	230(+5)	5Max
64241052	346(+2)	170	10.5	15	230(+5)	5Max
64241050	346(+2)	270	10.5	15	230(+5)	5Max
64121052	346(+2)	270	10.5	15	235(+5)	5Max
54241020	357(+2)	280	10.5	15	125(+5)	5Max

Fig 3.3 Ceramic (Jacketed)



Type	A	B	C	D
64241010	340(+2)	306	170	230(+5)
64241030	346(+2)	306	270	230(+5)
64241034	526(+2)	486	460	230(+5)

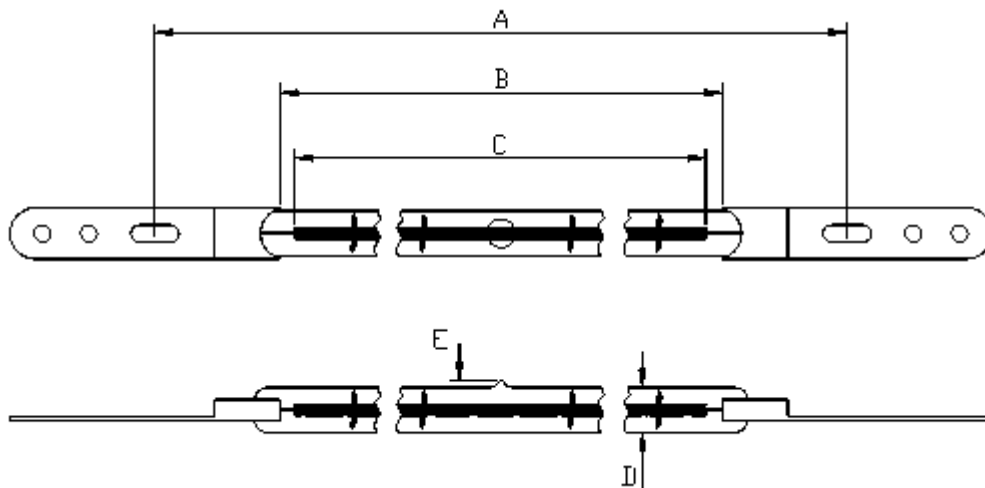
Fig 3.4 Metal



Type	A	C	E	F	H
64241022	348(+2)	140(+2)	5Max	270	10.5

Fig.3.5

Strap



Type	A	C	D	E
64241027	370(+5)	270	10.5	5Max
64241051	370(+5)	270	10.5	5Max
64241053	370(+5)	270	10.5	5Max
64241028	370(+5)	270	10.5	5Max



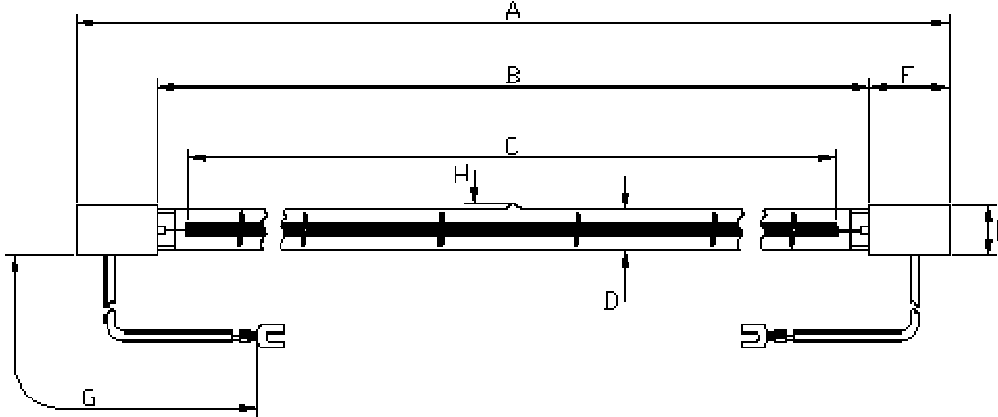
1100 - 1600 W

Watts	Volts	Base	Tube	LL MM	OAL MM	BOX QTY	ORDER CODE	Eq
1100	230	CERAMIC	RUBY	465	526	10	64241036	13837Z/876

		fig 4.5	JACKETED					
1200	144	METAL fig 4.2	CLEAR	157	224	10	64141222	13561Y/00 QH1200T3 /CL
1300	240	CERAMIC fig 4.1	CLEAR	700	788	10	64241320	13295Z/ 13393Z/98
	235	R7S fig 4.3	RUBY SLIM	180	254	10	64241332	15028R
	240	R7S fig 4.3	GOLD	180	254	10	64241370	15028R
1500	120	CERAMIC fig 4.5	RUBY	270	346	10	64121530	13123Z/876 120
	235	CERAMIC fig 4.1	RUBY SLIM	270	350	10	6424153D	15004Z
	240	CERAMIC fig 4.1	GOLD	270	350	10	64241570	15004Z
	240	CERAMIC fig 4.1	CLEAR	270	346	10	64241520	131232 HH148
	240	CERAMIC fig 4.5	RUBY	270	346	10	64241530	HH451 13123Z/876
	240	CERAMIC fig 4.5	ND	270	346	10	64241540	NEUTRAL DENSITY
	240	STRAP fig 4.4	REFLECTOR	270	370	10	64241551	
	240	CERAMIC fig 4.5	JACKETED	270	346	10	64241510	HH212
	240	CERAMIC fig 4.5	SPECTRUM	270	346	10	64241548	SPECTRUM SUN
	240	CERAMIC fig 4.1	RUBY SLIM	700	784	10	6424153K	PAINT DRYING
	240	CERAMIC fig 4.1	REFL + VERT	270	370	10	64241551	
1600	144	CERAMIC fig 4.1	REF	157	224	10	64141650	13568Z/98
	144	METAL fig 4.2	CLEAR	157	224	10	64141622	13568Y/00
	240	METAL fig 4.2	CLEAR	406	503	10	64241621	1600T3/CL
	240	R7S + LEAD fig 4.6	CLEAR	406	503	10	64241622	
	240	R7S fig 4.3	CLEAR	406	502	10	64241623	1600T3/7/CL
	240	METAL fig 4.2	SATIN	406	503	10	64241660	1600T3
	277	METAL	CLEAR	406	503	10	64271621	1600T3

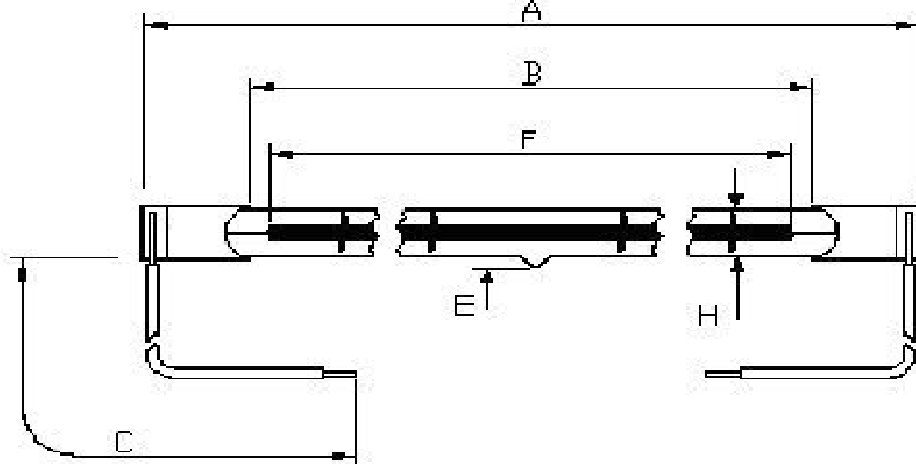
fig 4.2

Fig 4.1 Ceramic



Type	A	C	D	G	H
64241320	789(+2)	700	10.5	230(+5)	5Max
64241520	346(+2)	270	10.5	230(+5)	5Max
6424153D	346(+2)	270	10.5	230(+5)	5Max
6424153K	784(+2)	720	10.5	220(+5)	5Max
64241551	370(+2)	270(+5)	10.5	230(+5)	5Max
64241570	346(+2)	270	10.5	300(+5)	5Max
64141622	221.8(+2)	157	10.5	110(+5)	5Max

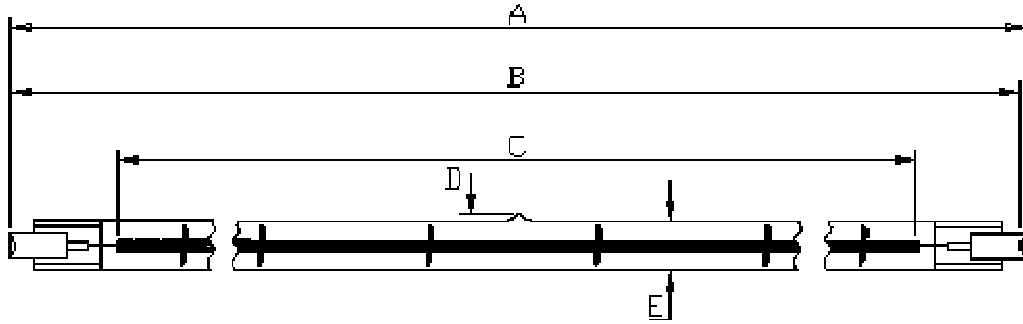
Fig 4.2 Metal



Type	A	C	E	F	H
64141222	221.8(+2)	140(+10)	5Max	157	10.5
64141622	221.8(+2)	110(+5)	5Max	157	10.5
64241621	503	140(+5)	5Max	435	10.5
64241660	503	140(+5)	5Max	435	10.5

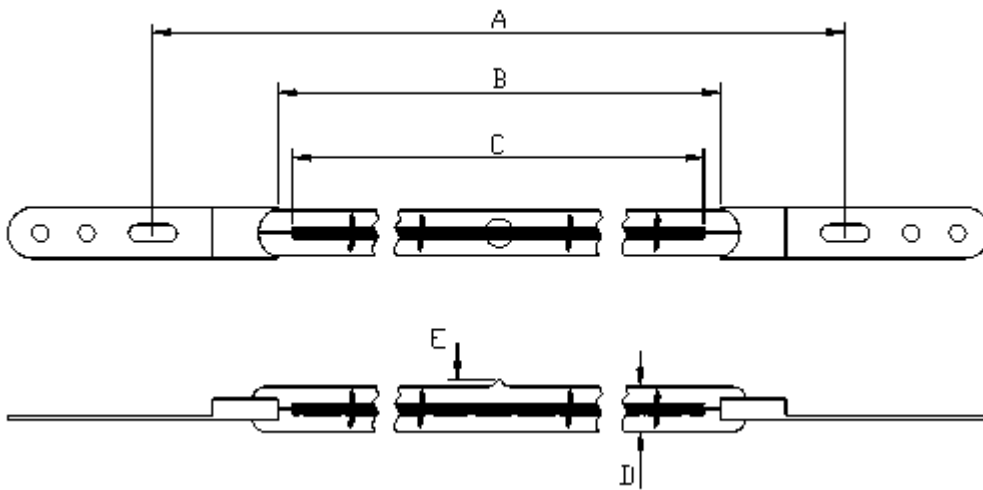
64271621	503	140(+5)	5Max	435	10.5
----------	-----	---------	------	-----	------

Fig 4.3 R7S



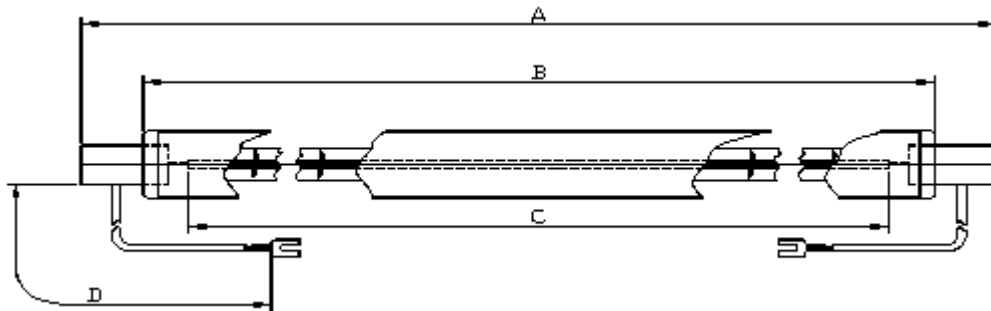
Type	A	B	C	D	E
64241332	254	250.5(+5)	195	5Max	10.5
64241370	254(+2)	250.2	200	5Max	10.5
64241623	500	497(+2)	455	5Max	10.5

Fig 4.4 Strap



Type	A	B	C	D	E
64241551	370(+5)	305	270(+5)	10.5	5Max

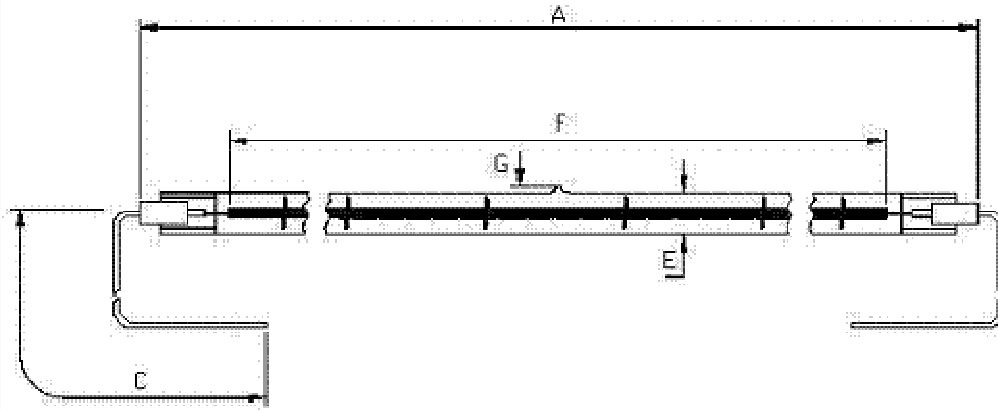
Fig 4.5 Ceramic (Jacketed)



Type	A	B	C	D
------	---	---	---	---

64241036	526(+2)	486	460	230(+5)
64121530	346(+2)	306	270	230(+5)
64241530	346(+2)	306	270	230(+5)
64241540	346(+2)	306	270	230(+5)
64241510	346(+2)	306(+1.5)	270	230(+5)
64241548	346(+2)	306	270	230(+5)

Fig 4.6 R7S + Lead



Type	A	E	F	G
64241623	500	10.5	455	5Max

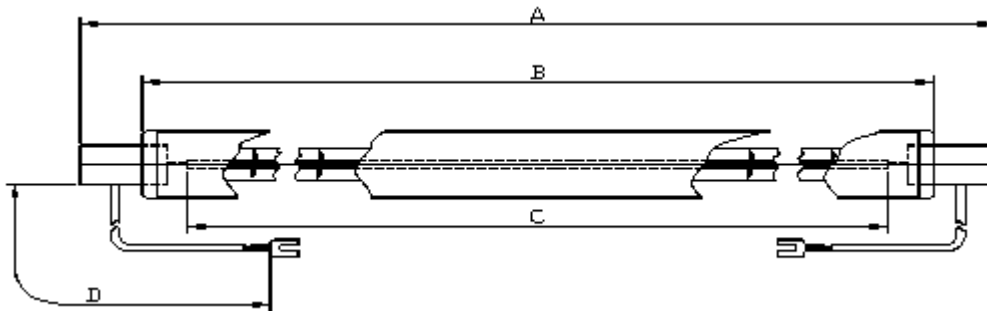


2000 W

Watts	Volts	Base	Tube	LL MM	OAL MM	BOX QTY	ORDER CODE	Eq
2000	240	CERAMIC fig 5.1	JACKETED	270	346	10	64242010	
	240	CERAMIC fig 5.2	CLEAR	270	346	10	64242020	13213Z HH464
	240	CERAMIC fig 5.2	REFLECTOR	270	346	10	64242051	13213Z/98
	240	CERAMIC fig 5.2	VERT	270	346	10	54242020	13168Z
	240	CERAMIC fig 5.2	REFL + VERT	270	346	10	64242052	13168Z/98
	240	STRAP fig 5.3	CLEAR	270	370	10	64242021	13168X

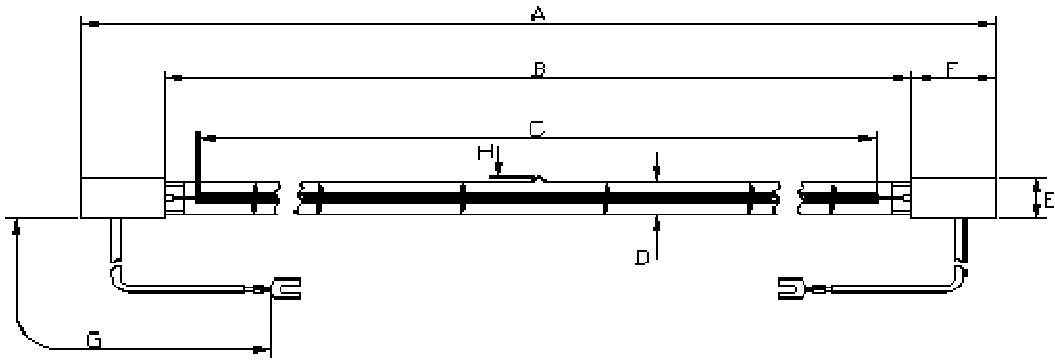
240	STRAP fig 5.3	REFLECTOR	270	370	10	64242054	13168X/98
240	METAL fig 5.4	CLEAR	265	351	10	54242021	2M / T3 / CL / HT
240	METAL fig 5.4	CLEAR	265	348	10	64242023	13213Y/00
240	U PIN fig 5.5	CL / VERT	260	340	10	64242025	HH405
240	METAL fig 5.4	CLEAR	235	303	10	64242026	2M / T3 / ICL / HT
240	U PIN fig 5.5	VERT	282	353	10	64242028	13168V
240	CERAMIC fig 5.1	RUBY	270	346	10	64242030	13934Z/876 HH804
240	CERAMIC fig 5.1	ND	270	346	10	64242040	NEUTRAL DENSITY
380	STRAP fig 5.3	CLEAR + VERT	410	508	10	64382020	13765X
380	STRAP fig 5.3	REFLECTOR	410	508	10	64382051	13765X/98
380	STRAP fig 5.3	CLEAR	410	508	10	64382021	13245X
380	STRAP fig 5.3	REFLECTOR	410	508	10	64382050	13245X/98

Fig 5.1 Ceramic (Jacketed)



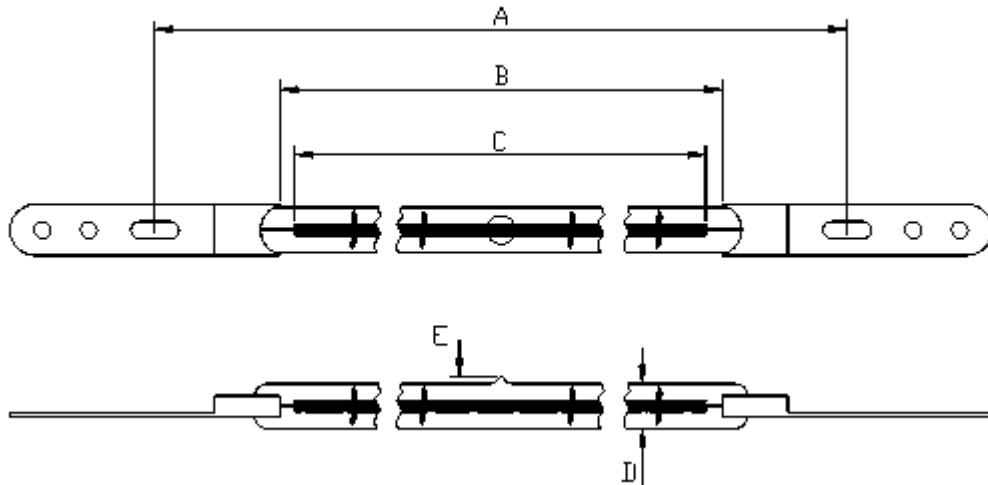
Type	A	B	C	D
64242010	346(+2)	306(+1.5)	270	235(+5)
64242030	346(+2)	306(+1.5)	270	230(+5)
64242040	346(+2)	306(+1.5)	270	230(+5)

Fig 5.2 Ceramic



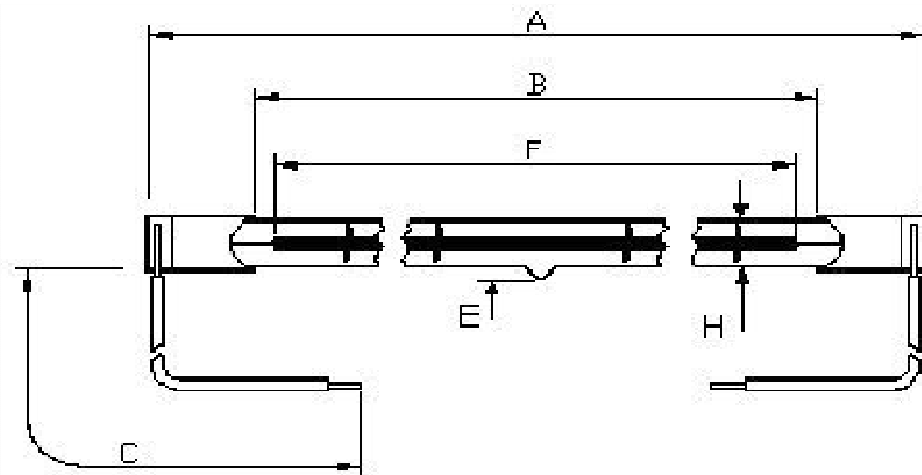
Type	A	C	D	G	H
64242020	346(+2)	270	10.5	230(+5)	5Max
64242051	346(+2)	270	10.5	230(+5)	5Max
54242020	346(+2)	270	10.5	230(+5)	5Max
64242052	346(+2)	270	10.5	230(+5)	5Max

Fig 5.3 Strap



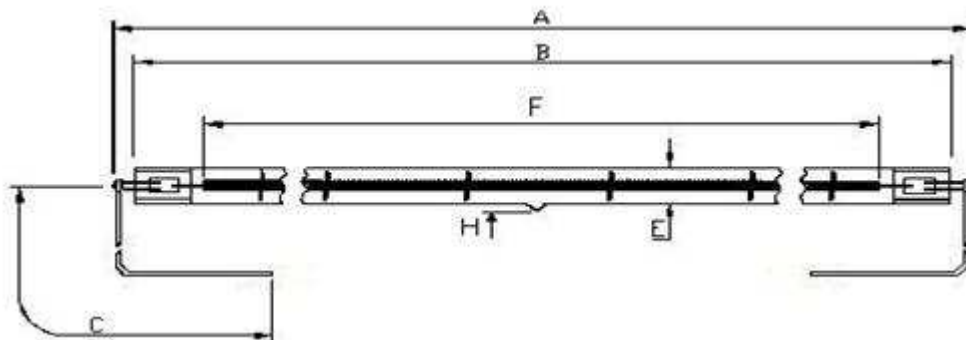
Type	A	C	D	E
64242021	370(+5)	270(+5)	10.5	5Max
64242054	370(+5)	270(+5)	10.5	5Max
64382020	508(+2)	410	10.5	5Max
64382051	508(+5)	410	10.5	5Max
64382021	508(+2)	410	10.5	5Max
64382050	508(+5)	410	10.5	5Max

Fig 5.4 Metal



Type	A	B	C	E	F	H
54242021	351	309	140(+5)	5Max	280	10.5
64242023	348	306	140(+5)	5Max	270	10.5
64242026	301(+2)	262	140(+5)	5Max	245	10.5

Fig 5.5 U-Pin



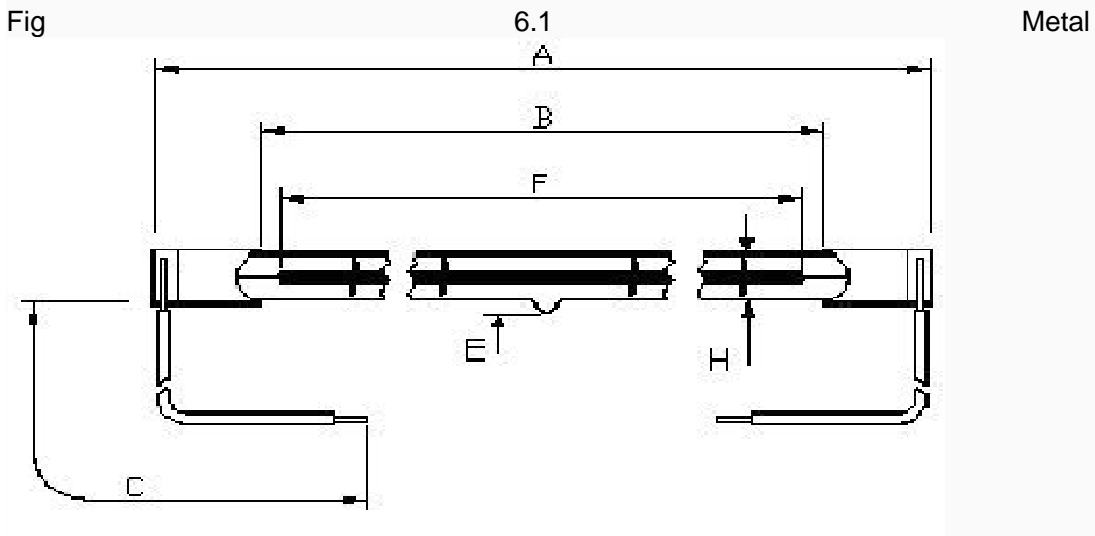
Type	A	B	C	E	F	H
64242025	352(+2)	340(+2)	110(+5)	10.5	280	5Max
64242028	353	338(+2)	110(+2)	10.5	282(+5)	5Max



2400 - 3800 W

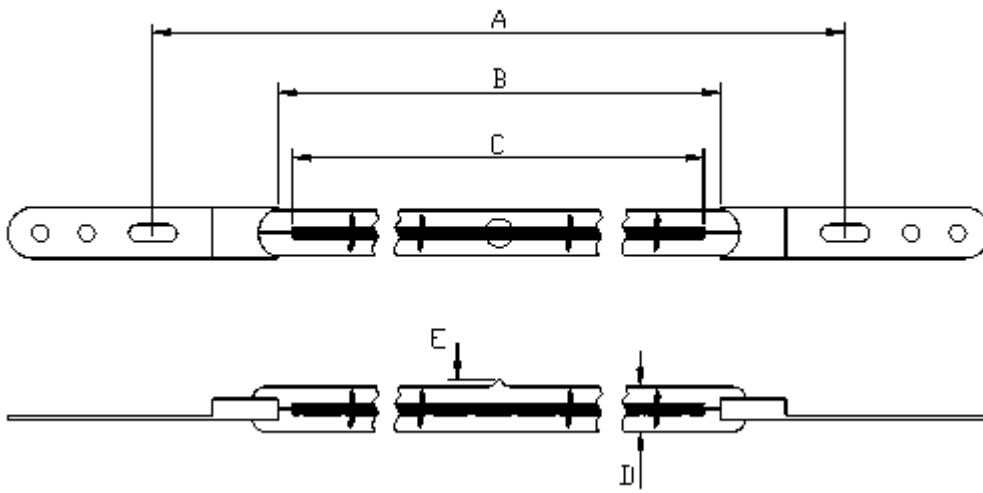
Watts	Volts	Base	Tube	LL MM	OAL MM	BOX QTY	ORDER CODE	Eq
2400	460	METAL fig 6.1	CLEAR	705	786	10	64462420	2400T3/CL 31
2500	380	STRAP fig 6.2	VERT	410	508	10	64382521	

	400	SK15 fig 6.3	HORIZ	315	378	10	64402550	14106Z
	240	U PIN fig 6.4	VERT	276	340	10	64242620	
	460	METAL fig 6.1	CLEAR	705	786	10	64462520	
	480	METAL fig 6.1	SATIN	650	732	10	64482500	2500T3
	480	METAL fig 6.1	CLEAR	650	732	10	64482520	2500T3/CL
	480	R7S + LEADS fig 6.5	CLEAR	650	727	10	64482521	2500T3/7
	575	METAL fig 6.1	CLEAR	650	732	10	64572520	
3000	235	SK15 fig 6.3	REFLECTOR	700	787.2	10	64233050	14107Z/98
	400	SK15 fig 6.3	REFLECTOR	315	378	10	64403052	14111Z/98
	380	STRAP fig 6.2	REFLECTOR	700	798	10	64383050	13215X/98
	380	STRAP fig 6.2	REFL + VERT	700	798	10	64383052	13230X/98
3650	480	METAL fig 6.1	CLEAR	965	1057	10	64483620	3650T3/CL
3800	575	METAL fig 6.1	CLEAR	985	1062	10	64573820	3800T3/CL
	380/415	CERAMIC fig 6.6	CLEAR	985	1062	10	64413820	IRL3800C



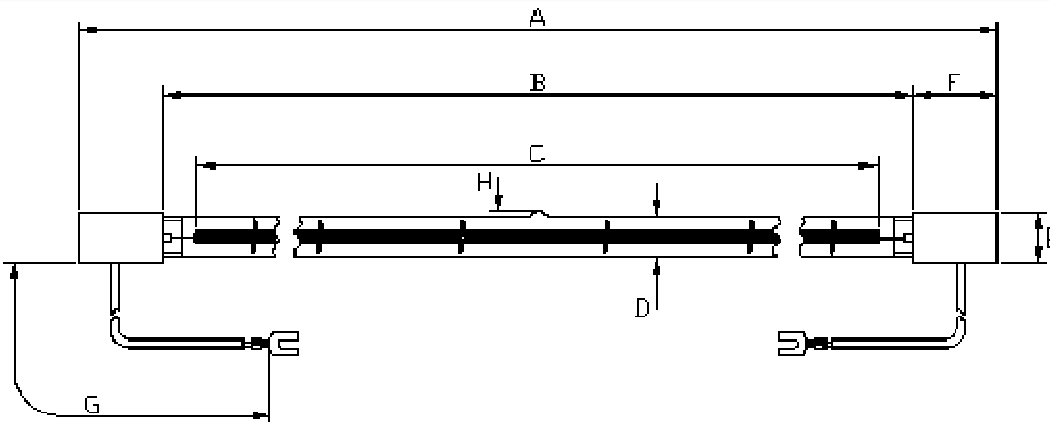
Type	A	B	C	E	F	H
64462420	786	743	140(+/-10)	5Max	705	10.5
64462520	758.8	743	140(+/-10)	5Max	705	10.5
64482500	731.8	743	140(+/-10)	5Max	650	10.5
64482520	731.8	685	140(+/-5)	5Max	665	10.5
64572520	731.8	689	140(+/-10)	5Max	650	10.5
64483620	1057	1014	140(+/-5)	5Max	965	10.5
64573820	1053(+/-2)	1014	140(+/-5)	5Max	990	10.5

Fig 6.2 Strap



Type	A	B	C	D	E
64382521	508(+/-10)	437	410	10.5	5Max
64383050	798(+/-10)	737	700	10.5	5Max
64383052	798(+/-5)	737	700	10.5	5Max

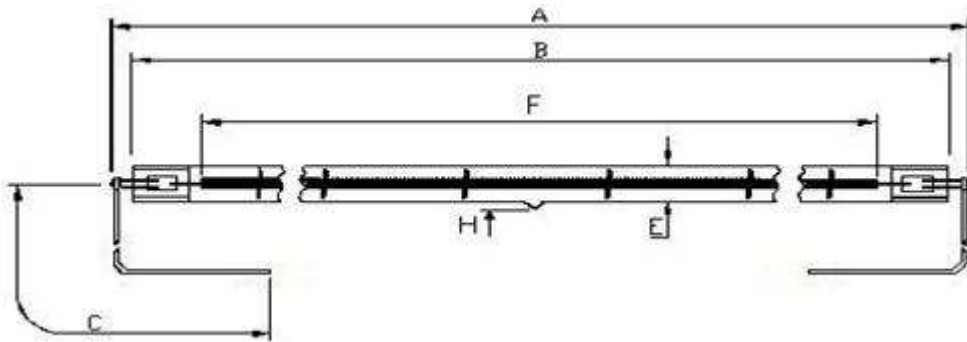
Fig 6.3 SK15



Type	A	C	D	G	H
64402550	380(+/-2)	320	10.5	230(+/-5)	5Max

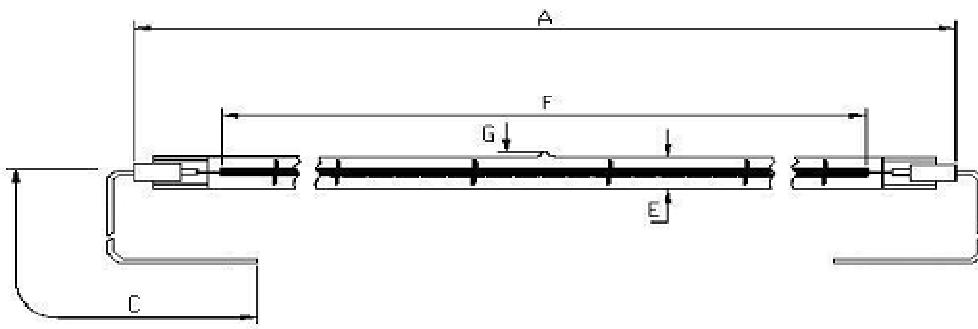
64233050	785.5(+/-2)	720	10.5	560(+/-5)	5Max
64403052	380(+/-5)	320	10.5	230(+/-5)	5Max

Fig 6.4 U Pin



Type	A	B	C	E	F	H
64242620	339(+/-2)	305(+/-2)	125	10.5	276	5Max

Fig 6.5 R7S + Leads



Type	A	C	D	E
64482521	729(+/-2)	660	5Max	10.5